

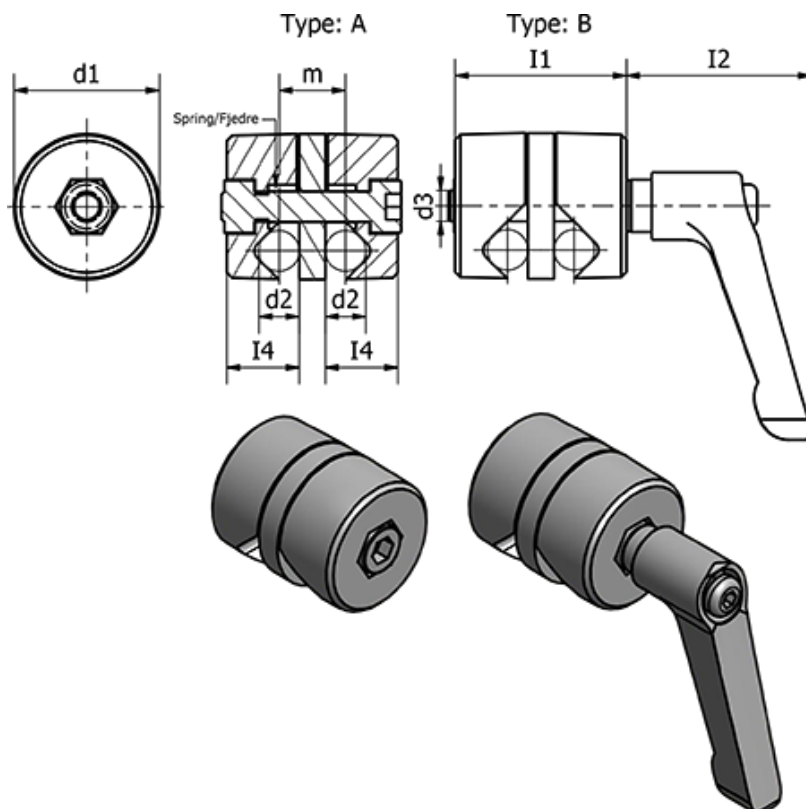
# Data Sheet



Article number: 204903612ASW

Description: E+G Clamp mounting - GN 490-36-12-A-SW

## Measures



d1 = 36	m = 17
d2 = 12	Weight (g) = 118
d3 = M8	
I1 = 47	
I2 = -	
I3 = -	
I4 = 21	
I5 = 5	